

Stainless Steel-Ball joint heads with threaded bolt

SPECIFICATION

Types (pairings)

- Type **NH**: Bronze / Steel lubrication possible
- Type **WH**: Bronze-PTFE / Steel self lubricated
- Type **WK**: Stainless Steel-PTFE / Stainless Steel self lubricated

Housing Stainless Steel AISI 431
forged, polished

Pairings

Type NH (lubrication possible)
Bearing socket Bronze CuSn8

Internal ring Steel 100 Cr6
hardened, ground, polished

hard chrome plated

Type WH (self lubricated)
Bearing socket Bronze CuSn8
with PTFE-insert

Internal ring Steel 100Cr6
hardened, ground, polished

hard chrome plated

Type WK (self lubricated)
Bearing socket, Stainless Steel AISI 316Ti
with PTFE-insert

Internal ring
Stainless Steel AISI 420
hardened, ground, polished



INFORMATION

Ball joint heads GN 648.6 are similar to DIN ISO 12240-4, series K (formerly DIN 648 K).

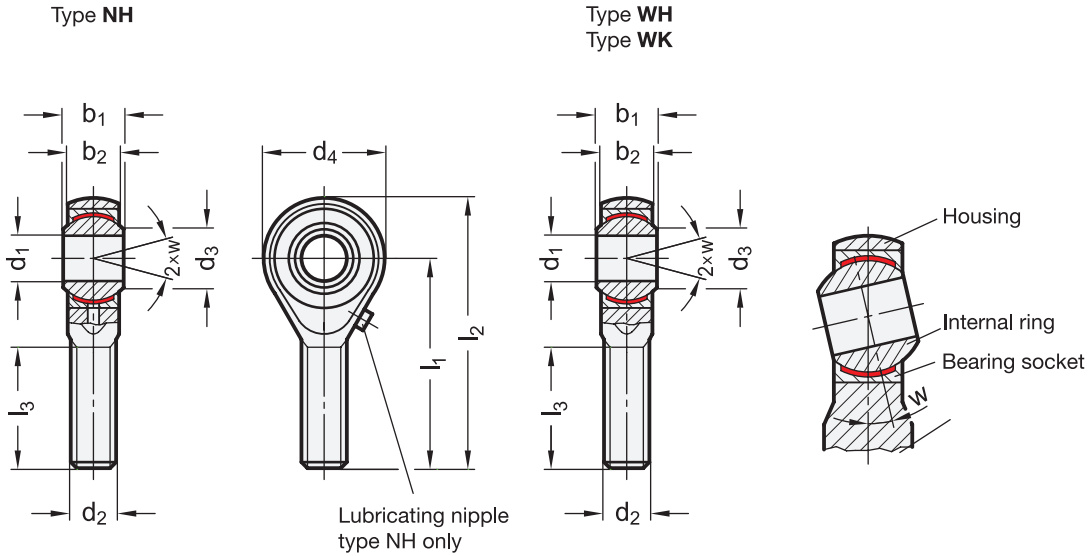
- More information to ball joints as well as load capacity (see page 1134)

ON REQUEST

- narrow model (ISO 12240-1, series E)

TECHNICAL INFORMATION

- ISO-Fundamental Tolerances (see page A21)
- Stainless Steel characteristics (see page A24)



* Complete with type index of the Ball joint heads
 NH WH WK

GN 648.6

STAINLESS STEEL

Description	d1 H7	d2	b1 -0.12	b2	d3	d4	l1	l2	l3	w	α
GN 648.6-5-M5-*	5*	M 5	8	6	7.7	18	33	42	20	13°	15
GN 648.6-5-M5L-*	5*	M 5L	8	6	7.7	18	33	42	20	13°	15
GN 648.6-6-M6-*	6	M 6	9	6.75	8.9	20	36	46	22	13°	20
GN 648.6-6-M6L-*	6	M 6L	9	6.75	8.9	20	36	46	22	13°	20
GN 648.6-8-M8-*	8	M 8	12	9	10.4	24	42	54	25	14°	40
GN 648.6-8-M8L-*	8	M 8L	12	9	10.4	24	42	54	25	14°	40
GN 648.6-10-M10-*	10	M 10	14	10.5	12.9	28	48	62	29	13°	63
GN 648.6-10-M10L-*	10	M 10L	14	10.5	12.9	28	48	62	29	13°	62
GN 648.6-12-M12-*	12	M 12	16	12	15.4	32	54	70	33	13°	96
GN 648.6-12-M12L-*	12	M 12L	16	12	15.4	32	54	70	33	13°	95
GN 648.6-14-M14-*	14	M 14	19	13.5	16.8	36	60	78	38	16°	133
GN 648.6-14-M14L-*	14	M 14L	19	13.5	16.8	36	60	78	38	16°	135
GN 648.6-16-M16-*	16	M 16	21	15	19.3	42	66	87	40	15°	203
GN 648.6-16-M16L-*	16	M 16L	21	15	19.3	42	66	87	40	15°	202
GN 648.6-18-M18x1.5-*	18	M 18 x 1.5	23	16.5	21.8	46	72	95	44	15°	278
GN 648.6-18-M18x1.5L-*	18	M 18 x 1.5L	23	16.5	21.8	46	72	95	44	15°	278
GN 648.6-20-M20x1.5-*	20	M 20 x 1.5	25	18	24.3	50	78	103	47	14°	354
GN 648.6-20-M20x1.5L-*	20	M 20 x 1.5L	25	18	24.3	50	78	103	47	14°	351
GN 648.6-22-M22x1.5-*	22**	M 22 x 1.5	28	20	25.8	54	84	111	51	15°	460
GN 648.6-22-M22x1.5L-*	22**	M 22 x 1.5L	28	20	25.8	54	84	111	51	15°	463
GN 648.6-25-M24x2-*	25	M 24 x 2	31	22	29.6	60	94	124	58	15°	631
GN 648.6-25-M24x2L-*	25	M 24 x 2L	31	22	29.6	60	94	124	58	15°	610
GN 648.6-30-M30x2-*	30	M 30 x 2	37	25	34.8	70	110	145	71	17°	1030
GN 648.6-30-M30x2L-*	30	M 30 x 2L	37	25	34.8	70	110	145	71	17°	1020

* d1 = 5 type NH no lubrication possible

** in type NH not available from stock, requires a minimum order quantity

Weight type NH

